

4

3

2

1

THIS DRAWING IS UNPUBLISHED. RELEASED FOR PUBLICATION
 © COPYRIGHT - By - ALL RIGHTS RESERVED.

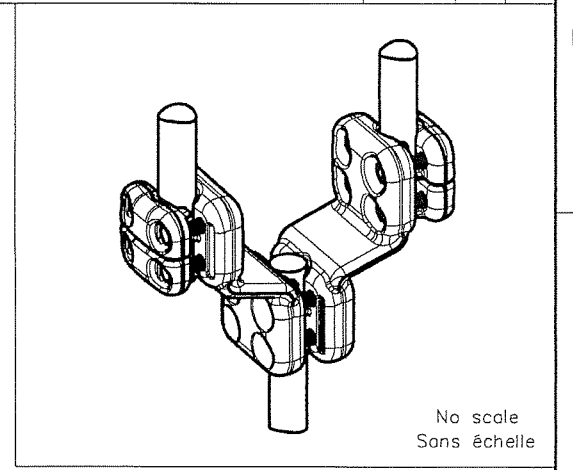
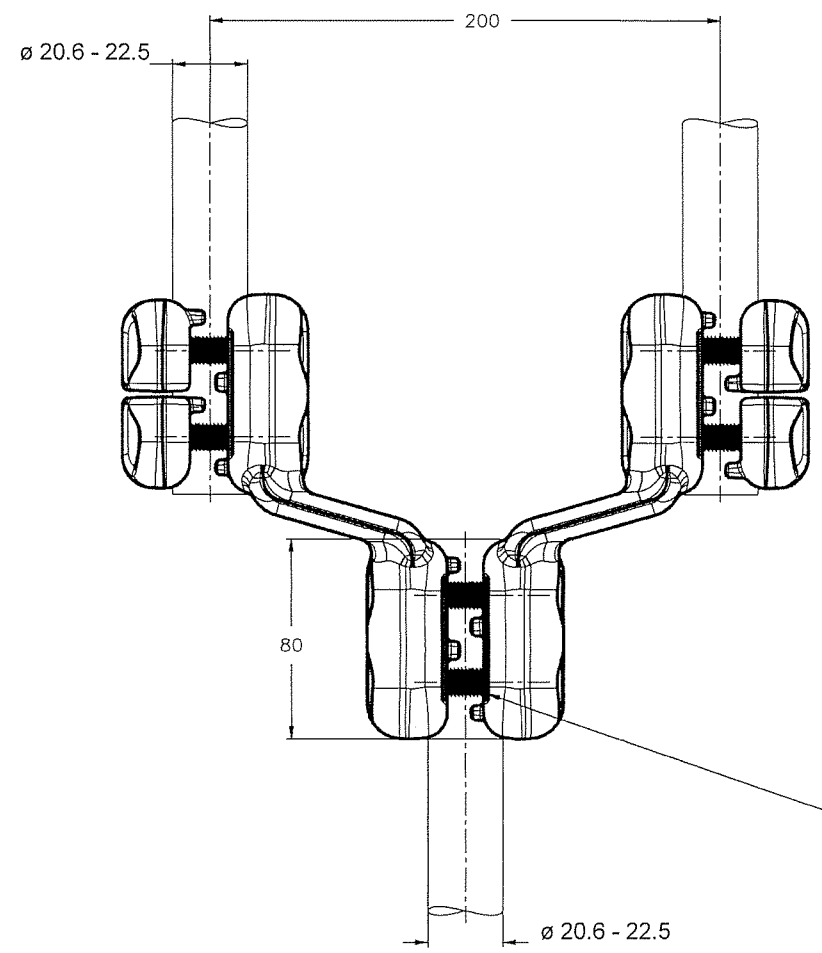
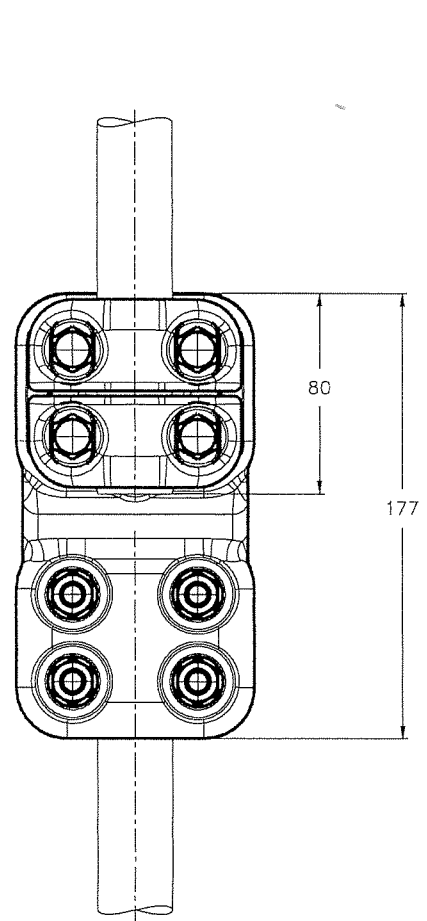
REVISIONS				
P	LYR	DESCRIPTION	DATE	APVO
A		CREATION	05-JUNE-18	MT

D

C

B

A



M10 Bolts stainless steel A2: 37Nm
 Boulons M10 acier inoxydable A2: 37Nm

THIS DRAWING IS A CONTROLLED DOCUMENT.		DWN TALPIN	05-JUNE-18	STE TE Connectivity																			
DIMENSIONS: mm		CHK ---	APVO ---																				
TOLERANCES UNLESS OTHERWISE SPECIFIED:		PRODUCT SPEC		NAME																			
<table border="1"> <tr><td>3</td><td>PLC</td><td>± -</td></tr> <tr><td>1</td><td>PLC</td><td>± -</td></tr> <tr><td>2</td><td>PLC</td><td>± -</td></tr> <tr><td>3</td><td>PLC</td><td>± -</td></tr> <tr><td>4</td><td>PLC</td><td>± -</td></tr> <tr><td colspan="2">ANGLES</td><td>± -</td></tr> </table>		3	PLC	± -	1	PLC	± -	2	PLC	± -	3	PLC	± -	4	PLC	± -	ANGLES		± -	108-69096-001		STRAIGHT CONNECTOR TWIN TO STUD RACCORD DROIT FAISCEAU DOUBLE SUR BORNE 5 CJ 82 F S225 E200 S225	
3	PLC	± -																					
1	PLC	± -																					
2	PLC	± -																					
3	PLC	± -																					
4	PLC	± -																					
ANGLES		± -																					
MATERIAL		APPLICATION SPEC		SIZE	RESTRICTED TO																		
FINISH		---		CAGE CODE	---																		
---		APPROX. WEIGHT		DRAWING NO	---																		
---		3 kg		A300779	---																		
CUSTOMER DRAWING				SCALE	REV																		
---				1:2	A																		
---				SHEET	1 of 1																		

ITEM:.....