

4

3

2

1

THIS DRAWING IS UNPUBLISHED.
DIFFUSION RESTREINTE

RELEASED FOR PUBLICATION
LIBRE A LA DIFFUSION

2011

© COPYRIGHT 2011

by Tyco Electronics Corporation

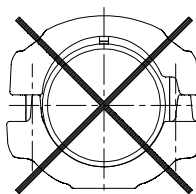
ALL RIGHTS RESERVED.
TOUS DROITS RESERVES

LOC	DIST
-	-

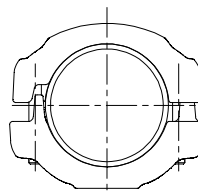
REVISIONS

P	LTR REV	DESCRIPTION MODIFICATIONS	DATE	DWN DESS	APVD APPR
A		CREATION	10-Mar-15	BH	-

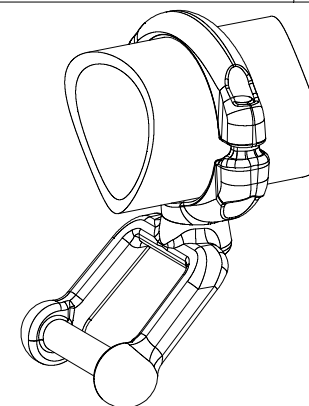
F
(No scale)
(Sans échelle)



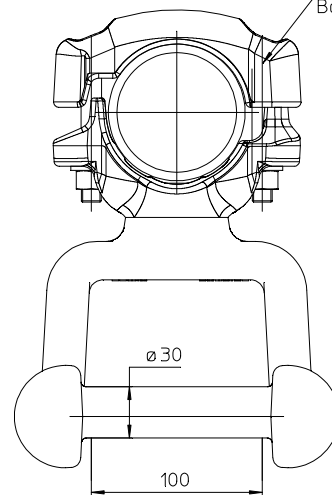
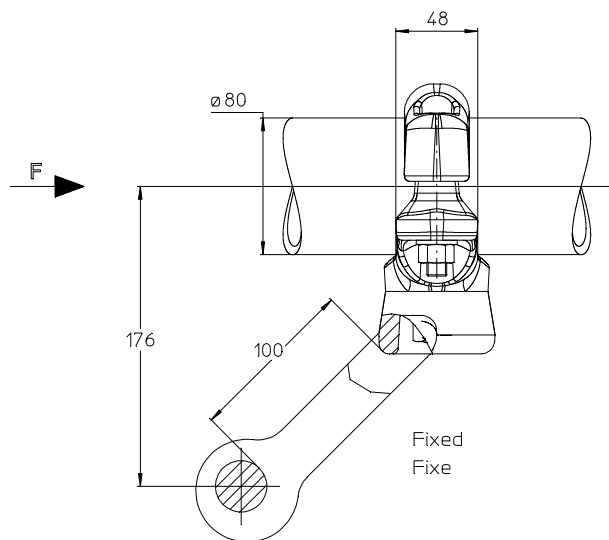
Sliding
Coulissant



Fixed
Fixe ✓



No scale
Sans échelle



THIS DRAWING IS A CONTROLLED DOCUMENT. <small>LE PLAN EST UN DOCUMENT CONTROLÉ PAR TYCO ELECTRONICS CORPORATION IL EST SUSCEPTIBLE D'ÊTRE REVISÉ POUR OPÉRER LA DEMIÈRE RÉVISION CONTACTER LE SERVICE TECHNIQUE DE TYCO ELECTRONICS SHEL SAS 4220 LEVENEY-CHAMBERTIN, FRANCE.</small>		DWN /DESSNE HUARD	10-Mar-15	STE <i>TE connectivity</i> SIMEL PRODUCTS	
DIMENSIONS: mm		CHK/VERIFIE -	APVD/APPROUVE -		
TOLERANCES UNLESS OTHERWISE SPECIFIED PER TOLERANCES NON SPECIFIEES SELON : -		PRODUCT SPEC 108-69090-001	APPLICATION SPEC -	ø80 EARTHING STIRUPP PRISE MALT POUR TUBE ø80 5 TAMALT 82 T80	
MATERIAL MATIERE	FINISH FINITION	APPROX. WEIGHT MASSE APPROX.	2.3 kg	SIZE FORMAT A3	CAGE CODE 00779
		DRAWING NO No PLAN ©=2839755		RESTRICTED TO RESERVE A -	
CUSTOMER DRAWING /PLAN CLIENT		UNIQUEMENT POUR REFERENCE	SCALE ECHELLE 1/3	SHEET FEUILLE 1	OF DE 1
		REV A			

ITEM: