

4

3

2

1

THIS DRAWING IS UNPUBLISHED.
DIFFUSION RESTREINTE

RELEASED FOR PUBLICATION
LIBRE A LA DIFFUSION

2011

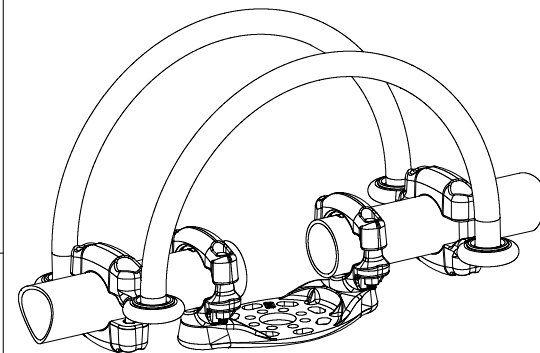
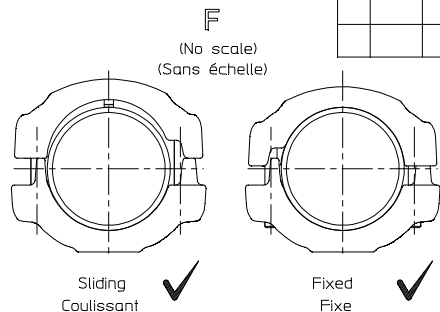
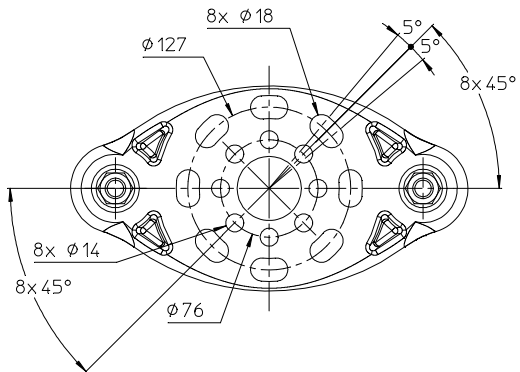
© COPYRIGHT 2011

by Tyco Electronics Corporation

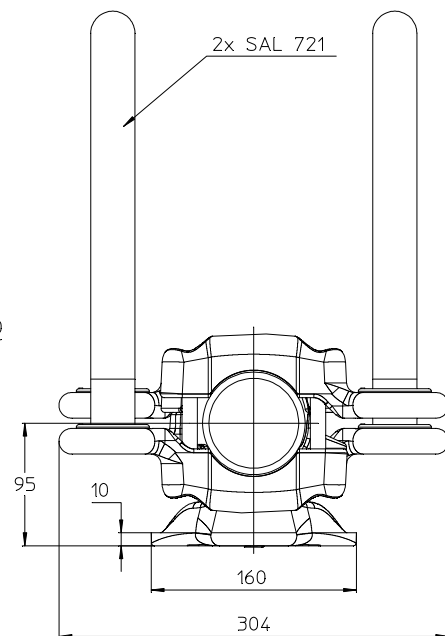
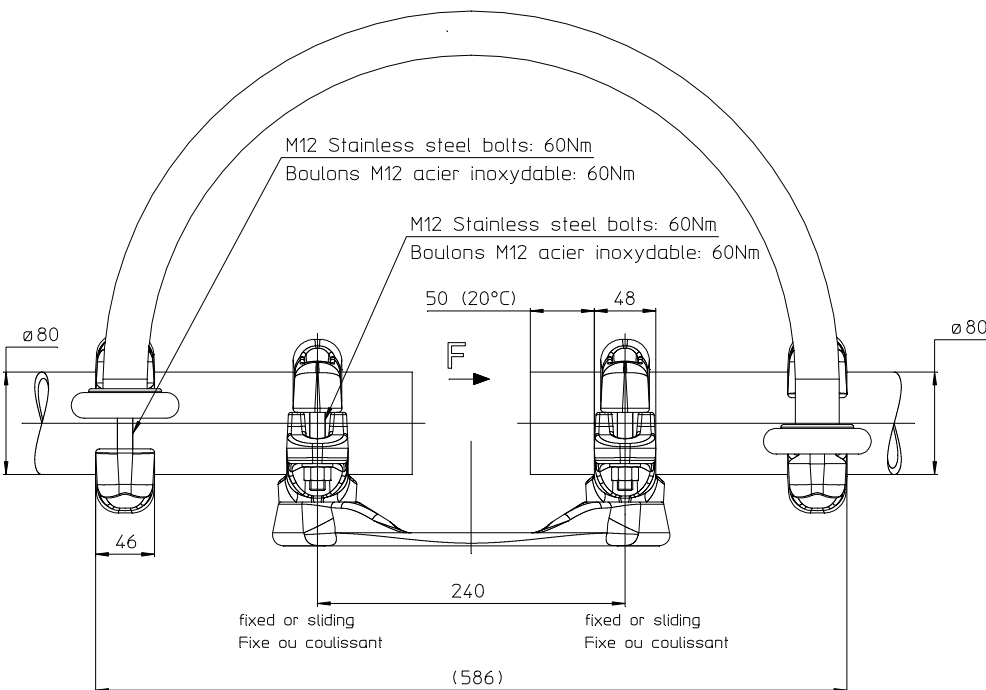
ALL RIGHTS RESERVED.
TOUS DROITS RESERVES

LOC	DIST
-	-

P		LTR	DESCRIPTION	DATE	DWN	APVD
REV		REV	MODIFICATIONS		DESS	APPR
A			CREATION	19-Sep-14	PG	-



No scale
Sans échelle



THIS DRAWING IS A CONTROLLED DOCUMENT. LE PLAN EST UN DOCUMENT CONTROLÉ PAR TYCO ELECTRONICS CORPORATION IL EST SUSCEPTIBLE D'ÊTRE REVISÉ POUR OBTENIR LA DERNIÈRE RÉVISION CONTACTER LE SERVICE TECHNIQUE DE TYCO ELECTRONICS SNE, SAS 4220 LEVREY-CHAMBERTIN, FRANCE		DWN /DESSINE GARNIER P.	10-Sep-14	TE connectivity SIMEL PRODUCTS	
DIMENSIONS: mm		CHK/VERIFIE -	-		
TOLERANCES UNLESS OTHERWISE SPECIFIED PER TOLERANCES NON SPECIFIEES SELON : -		APVD/APPROUVE -	-	Ø80 BUSBAR SUPPORT ON P3-P5 BPI SUPPORT TUBE Ø80 SUR ISO P3-P5 5 TJL 82 P3-P5 T80 27	
MATERIAL MATIERE		PRODUCT SPEC SPEC. PRODUCT 108-69090-001	APPLICATION SPEC SPEC. APPLICATION -	SIZE FORMAT A3	CAGE CODE 00779
FINISH FINITION		APPROX. WEIGHT MASSE APPROX. 10 Kg	-	DRAWING NO No PLAN ©=2830740	RESTRICTED TO RESERVE A -
ITEM:		CUSTOMER DRAWING /PLAN CLIENT		UNIQUEMENT POUR REFERENCE	SCALE ECHELLE 1/4
1470-19 (3/11)		SHEET FEUILLE 1 OF DE 1		REV A	