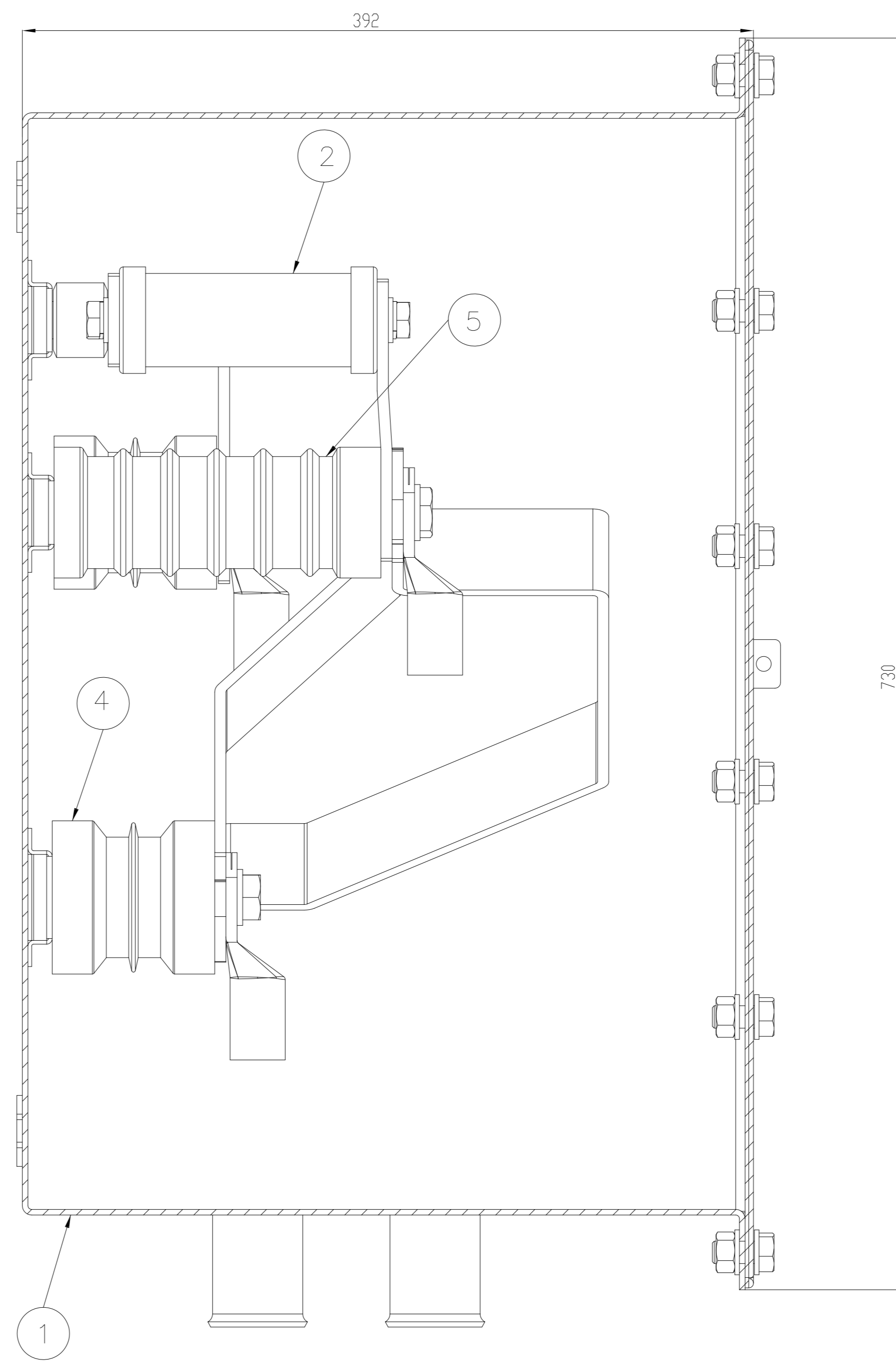
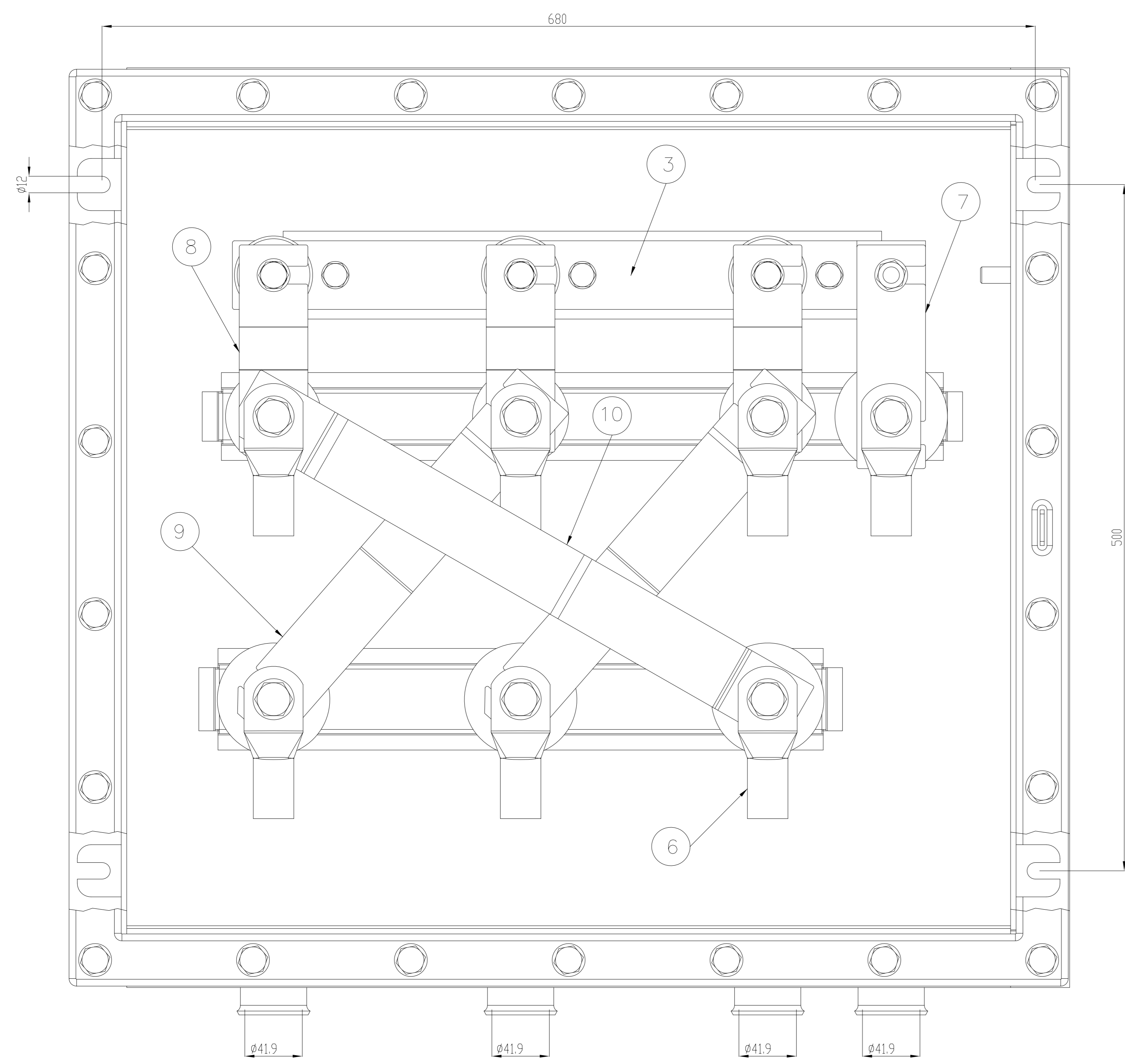
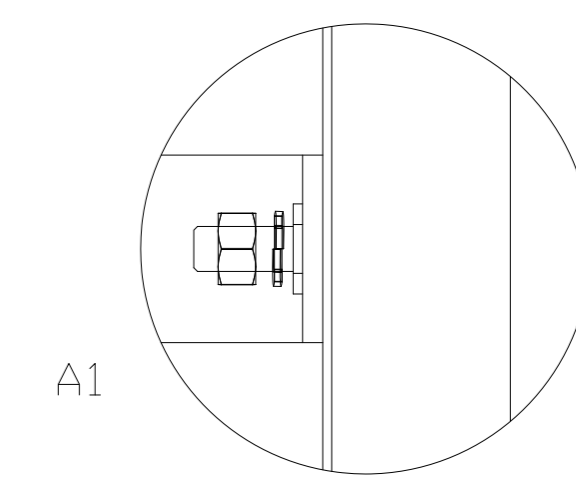


THIS DRAWING IS A CONTROLLED DOCUMENT  
PART NO: EPD-204-1345-00-01

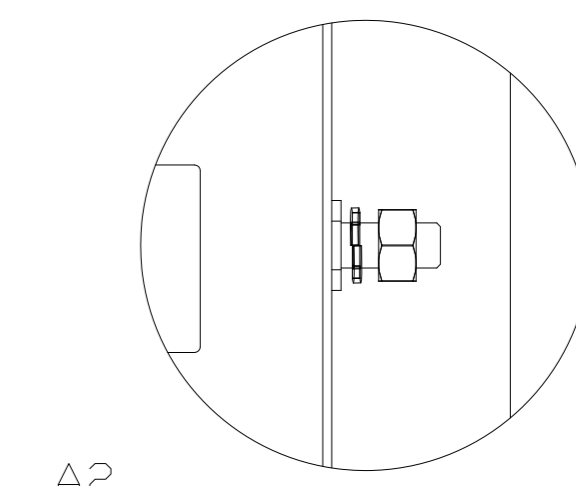


VERSION 1

ONE EARTING POINT FOR LINK BOX HOUSING AND EARTING BUSBAR

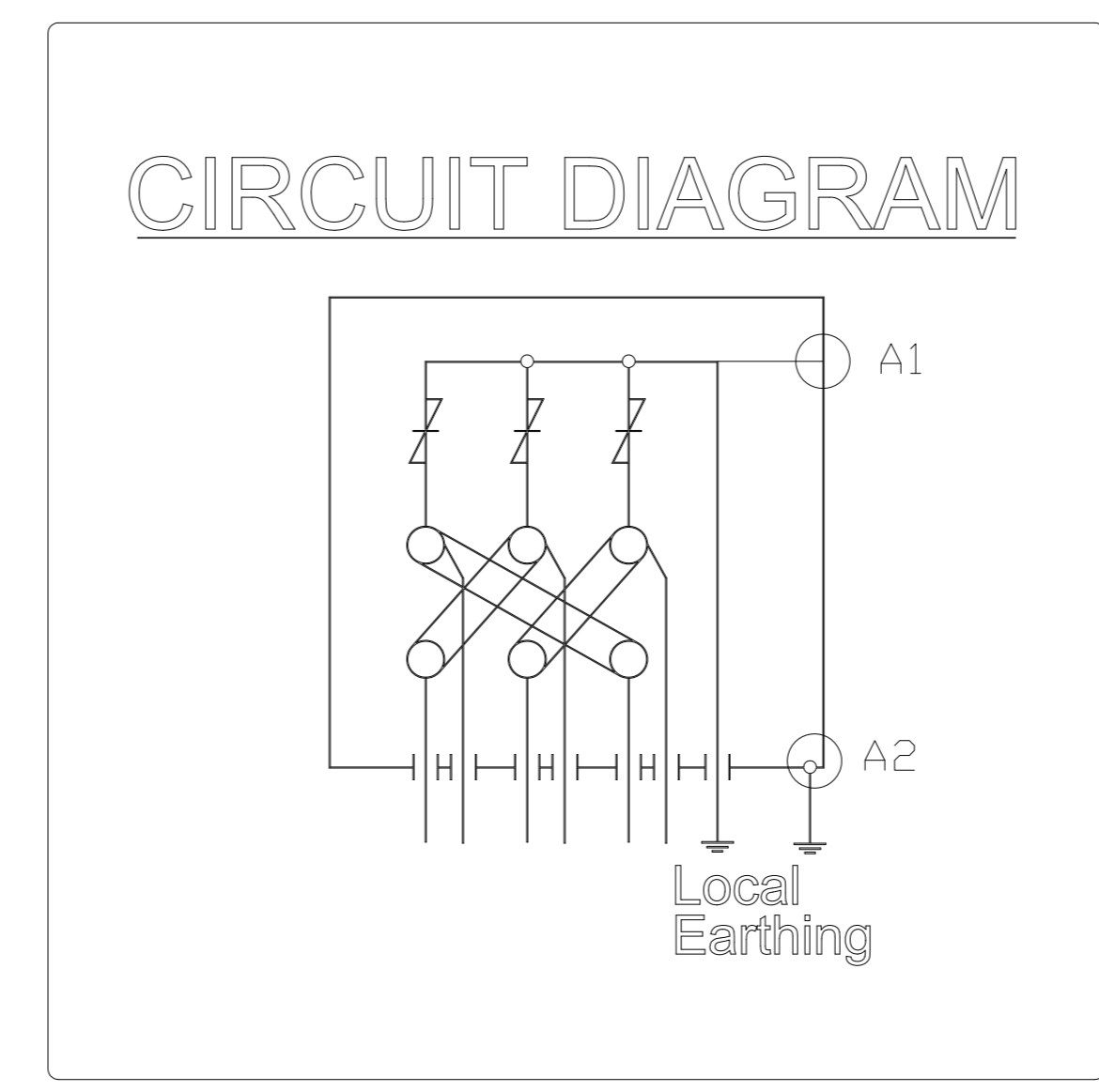
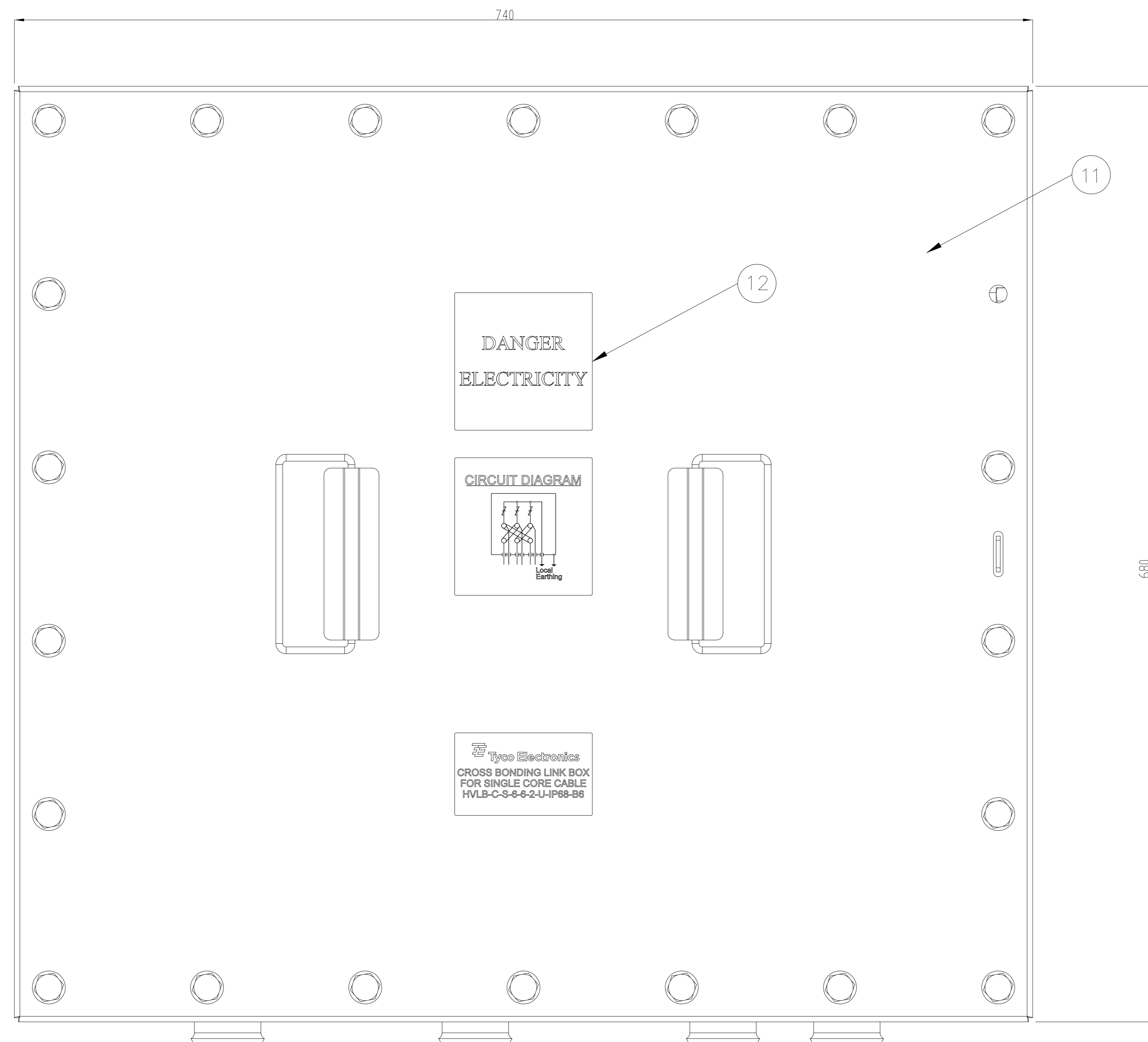


OR

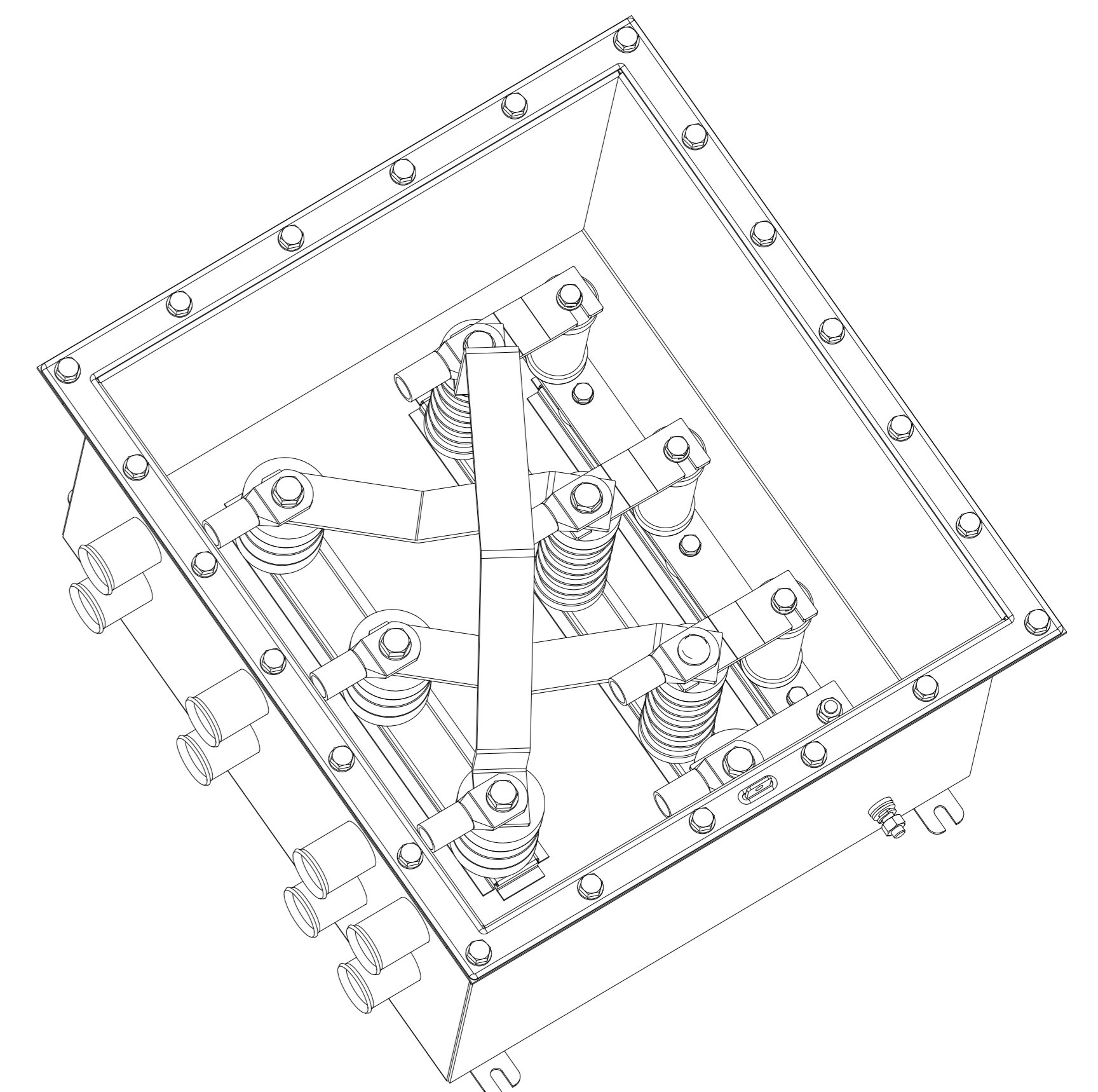


VERSION 2

SEPARATE EARTING POINT FOR LINK BOX HOUSING AND EARTING BUSBAR



PROTECTION CLASS IP68



PCS	DESCRIPTION	MATERIAL	COMMENTS
12	Labels	Stainless Steel	
11	Protection cover	Stainless Steel	
10	Cross link	E-Cu57 F30 tinned	
9	Cross link	E-Cu57 F30 tinned	
8	Connection busbar	E-Cu57 F30 tinned	
7	Connection busbar	E-Cu57 F30 tinned	
6	Compression cable lug	CU tinned	Different Sizes are available
5	Insulator	resin	
4	Insulator	resin	
3	Cu-busbar	E-Cu57 F30 tinned	
2	CPA-0x SVL	metal oxid arrester	For 1kV up to 6kV
1	Link box housing	1.4301	wall-thickness 3mm

DIMENSIONS		TOLERANCES UNLESS OTHERWISE SPECIFIED		MATERIAL	
DRW	MISC	23.02.11			
CHK	CHK	10.03.11			
APP'D	ALE	10.03.11			
				<b>TE</b> Connectivity <small>THE BEST CONNECTION</small>	
Name: Cross Bonding Link Box for Single Core Cable HVLB-C-5-x-6-x-6-x-U-IP-68-Bx					
SCALE	SIZE	DRAWING NO	SHEET	1 OF 1	REV
M 1:0	A0	EPD-204-1345-00			0

THIS INFORMATION IS CONFIDENTIAL AND PROPRIETARY TO TYCO ELECTRONICS CORPORATION AND ITS WORLDWIDE SUBSIDIARIES AND AFFILIATES. IT MAY NOT BE DISCLOSED TO ANYONE OTHER THAN TYCO ELECTRONICS PERSONNEL WITHOUT WRITTEN AUTHORIZATION FROM TYCO ELECTRONICS CORPORATION.